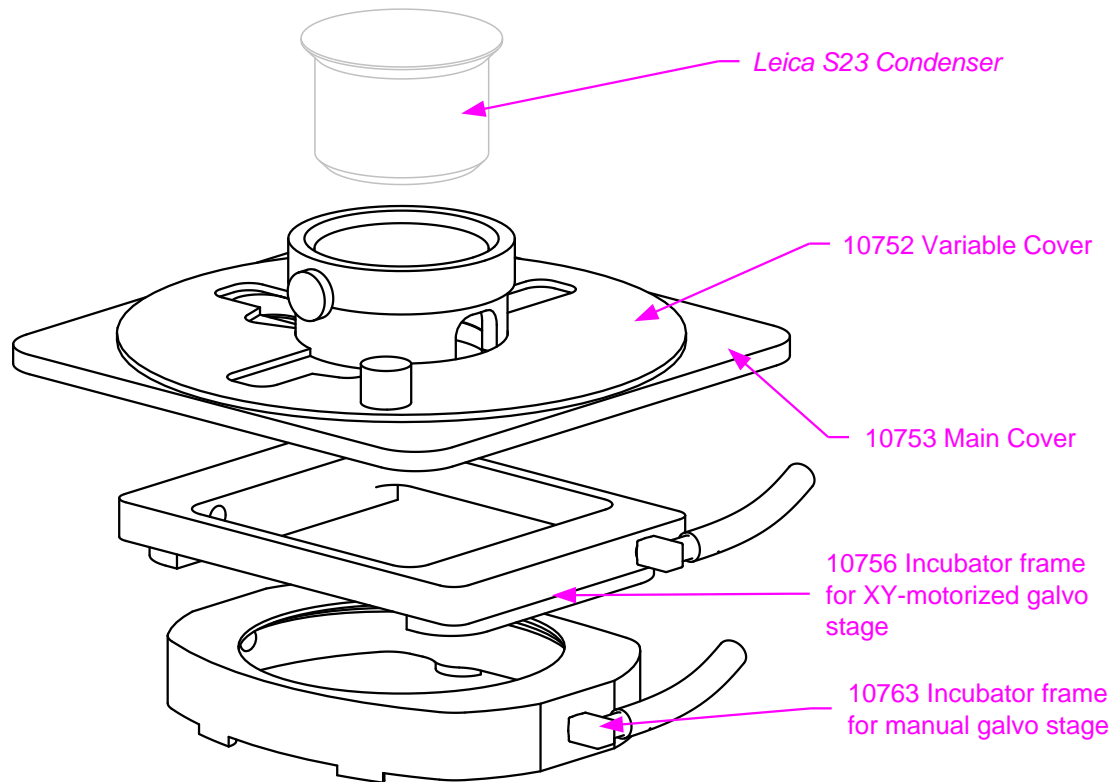


10760 : STAGE-TOP INCUBATOR SET FOR LEICA SP/SP2 GALVO STAGES



Connect the port on the side of the incubator frame 10756 or 10763 to the outlet of the humidifier column with the tubing flanges (for optimized gassing connect both ports using the supplied Y-connector piece). Place the incubator frame on the stage insert.

Fasten the cover pieces 10752 and 10753 to the S23 condenser such that it "hovers" as closely over the incubator frame as possible (a piece of paper may serve as a spacer during the installation).

Use the turnable cover to open or close the access openings as required.