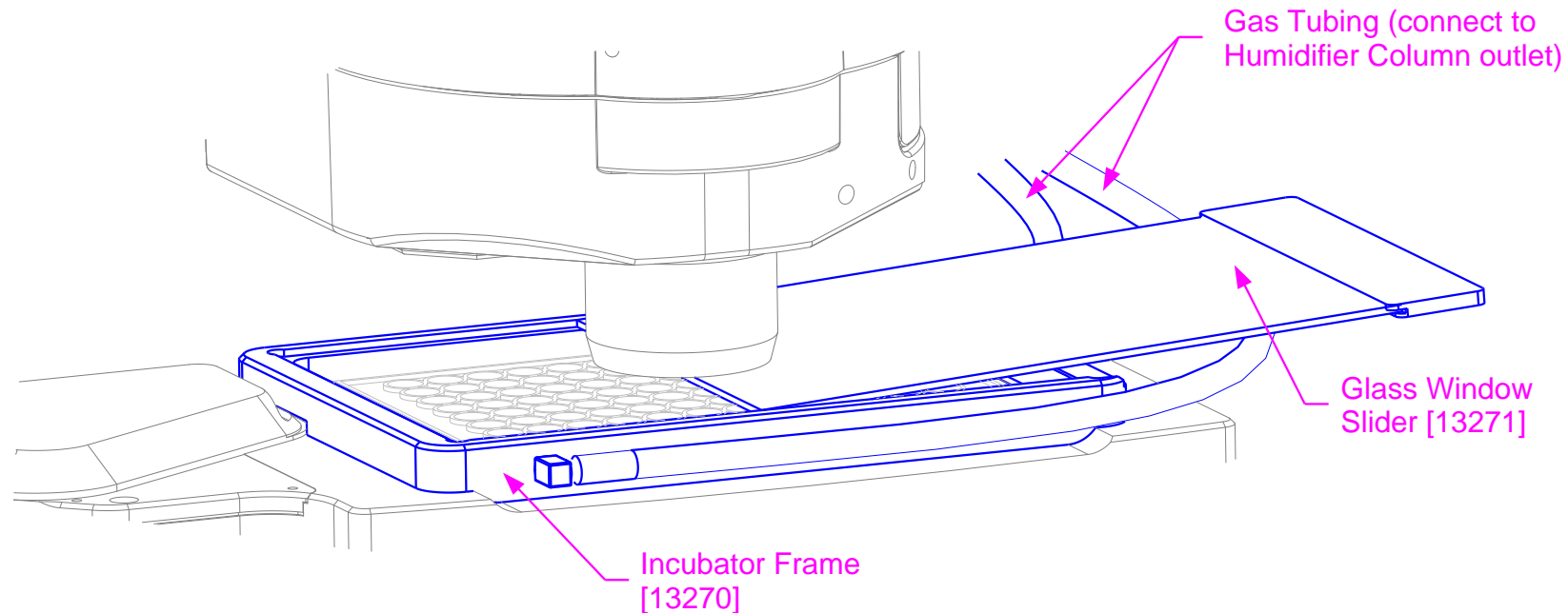


13198 : STAGE-TOP INCUBATOR CLOSED FOR LEICA SUPER-Z GALVO STAGE



Preparations:

- » Place a (dummy) sample container on the Leica Super-Z galvo stage and close any gaps remaining in the stage as far as possible (except for the small gap between the outer and the inner frame of the stage).
- » Connect the inlets of the incubator frame to the outlet of the humidifier column using flexible tubing and the Y-connector supplied.

Operation:

- » Place the incubator frame on the outer frame of the Leica Super-Z galvo stage.
- » Carefully insert the glass window slider into the incubator frame holding it by the plastic handle.
- » If intermittent access to the sample is required, remove and re-insert the glass window slider.